

16/58-D4 | The stove

stuv

sober appearance	can be placed on a wooden or custom-made base
ergonomics	accessibility to all mechanisms
high efficiency	
economical	low wood consumption
low pollutant levels	low emission of CO and fine particles
air-tightness	++
for traditional and energy-efficient homes	✓



TECHNICAL SPECIFICATIONS

GENERAL

TYPE OF SYSTEM	stove
MATERIALS	steel + vermiculite
COLOUR	Stuv grey
LOADING	manual
FUEL	wood
POSITION OF LOGS	horizontal
LENGTH OF LOGS	40 cm

WEIGHT / DIMENSIONS

WEIGHT	204 kg
WEIGHT OF WOODEN BASE	15 kg
Ø OF SMOKE DUCT	180 mm
HOT-AIR OUTLET	front
Ø OUTSIDE AIR INLET	63 mm

AIR

DIRECT OUTSIDE INLET	✓
CONTROL OF PRIMARY AIR	✓
CONTROL OF SECONDARY AIR	✓
POST-COMBUSTION	✓
AIR-TIGHTNESS	++
OPERATION WITHOUT FAN	✓
OVERHEATING INDICATOR	✗

PERFORMANCE

OUTPUT	7 kW
USAGE RANGE	5-8 kW
EFFICIENCY	78%
EFFICACITÉ ÉNERGÉTIQUE SAISONNIÈRE	68%
ENERGY EFFICIENCY INDEX (EEI)	103
ENERGY EFFICIENCY CLASS	A
CO EMISSIONS	< 0,09%
FINE PARTICLE EMISSIONS	11 mg/Nm ³
CnHm EMISSIONS	89 mg/Nm ³
NOx EMISSIONS	134 mg/Nm ³
RANGE OF WOOD CONSUMPTION	1,4 - 2,3 kg/h
MINIMUM DRAW	12 Pa
SMOKE MASS FLOW	7 g/s
AVERAGE SMOKE TEMPERATURE	283 °C
CONSUMPTION OF AIR FOR COMBUSTION	18,6 m ³ /h

MINIMUM SAFETY DISTANCE FROM COMBUSTIBLE MATERIALS

BACK FACE	35 cm
SIDE FACE	25 cm
UPPER FACE	-
INSIDE FACE	-

ACCESSORIES / EQUIPMENT

ACCUMULATION	✗
CUPBOARD	✗
BARBECUE	✗
ASHTRAY	✗
CONVECTION	✓
FAÇADE	✗
OPEN FIRE	✗
MOBILOBOX	○
GROUND PLATE	✗
READY-TO-FIT	✗
LOG RACK	○
ROTARY FUNCTION	✗
BASE	○
FAN	✗
RETRACTABLE GLASS	✗

LEGEND

✓	STANDARD
✗	UNAVAILABLE
○	OPTIONAL

according to:
 - OPair (CH)
 - BE Phase 3
 - BImSchV2 (DE)
 - ECODESIGN 2022



16/68-D4 | The stove

stuv

sober appearance	can be placed on a wooden or custom-made base
ergonomics	accessibility to all mechanisms
high efficiency	
economical	low wood consumption
low pollutant levels	low emission of CO and fine particles
air-tightness	++
for traditional and energy-efficient homes	✓



TECHNICAL SPECIFICATIONS

GENERAL

TYPE OF SYSTEM	stove
MATERIALS	steel + vermiculite
COLOUR	Stuv grey
LOADING	manual
FUEL	wood
POSITION OF LOGS	horizontal
LENGTH OF LOGS	50 cm

WEIGHT / DIMENSIONS

WEIGHT	226 kg
WEIGHT OF WOODEN BASE	20 kg
Ø OF SMOKE DUCT	180 mm
HOT-AIR OUTLET	front
Ø OUTSIDE AIR INLET	63 mm

AIR

DIRECT OUTSIDE INLET	✓
CONTROL OF PRIMARY AIR	✓
CONTROL OF SECONDARY AIR	✓
POST-COMBUSTION	✓
AIR-TIGHTNESS	++
OPERATION WITHOUT FAN	✓
OVERHEATING INDICATOR	✗

PERFORMANCE

OUTPUT	7,5 kW
USAGE RANGE	5-9 kW
EFFICIENCY	77%
EFFICACITÉ ÉNERGÉTIQUE SAISONNIÈRE	68%
ENERGY EFFICIENCY INDEX (EEI)	102
ENERGY EFFICIENCY CLASS	A
CO EMISSIONS	0,10%
FINE PARTICLE EMISSIONS	19 mg/Nm ³
CnHm EMISSIONS	59 mg/Nm ³
NO _x EMISSIONS	117 mg/Nm ³
RANGE OF WOOD CONSUMPTION	1,5 - 2,6 kg/h
MINIMUM DRAW	12 Pa
SMOKE MASS FLOW	7,9 g/s
AVERAGE SMOKE TEMPERATURE	301 °C
CONSUMPTION OF AIR FOR COMBUSTION	20,8 m ³ /h

MINIMUM SAFETY DISTANCE FROM COMBUSTIBLE MATERIALS

BACK FACE	30 cm with insulated duct: 20 cm
SIDE FACE	15 cm
UPPER FACE	-
INSIDE FACE	-

ACCESSORIES / EQUIPMENT

ACCUMULATION	✗
CUPBOARD	✗
BARBECUE	✗
ASHTRAY	✗
CONVECTION	✓
FAÇADE	✗
OPEN FIRE	✗
MOBILOBOX	○
GROUND PLATE	✗
READY-TO-FIT	✗
LOG RACK	○
ROTARY FUNCTION	✗
BASE	○
FAN	✗
RETRACTABLE GLASS	✗

LEGEND

✓	STANDARD
✗	UNAVAILABLE
○	OPTIONAL

according to:
 - OPair (CH)
 - BE Phase 3
 - BImSchV2 (DE)
 - ECODESIGN 2022



16/78-D4 | The stove

stuv

sober appearance	can be placed on a wooden or custom-made base
ergonomics	accessibility to all mechanisms
high efficiency	
economical	low wood consumption
low pollutant levels	low emission of CO and fine particles
air-tightness	++
for traditional and energy-efficient homes	✓



TECHNICAL SPECIFICATIONS

GENERAL

TYPE OF SYSTEM	stove
MATERIALS	steel + vermiculite
COLOUR	Stuv grey
LOADING	manual
FUEL	wood
POSITION OF LOGS	horizontal
LENGTH OF LOGS	50 cm

WEIGHT / DIMENSIONS

WEIGHT	247 kg
WEIGHT OF WOODEN BASE	25 kg
Ø OF SMOKE DUCT	180 mm
HOT-AIR OUTLET	frontale
Ø OUTSIDE AIR INLET	63 mm

AIR

DIRECT OUTSIDE INLET	✓
CONTROL OF PRIMARY AIR	✓
CONTROL OF SECONDARY AIR	✓
POST-COMBUSTION	✓
AIR-TIGHTNESS	++
OPERATION WITHOUT FAN	✓
OVERHEATING INDICATOR	✗

PERFORMANCE

OUTPUT	8 kW
USAGE RANGE	6-10 kW
EFFICIENCY	75%
EFFICACITÉ ÉNERGÉTIQUE SAISONNIÈRE	65%
ENERGY EFFICIENCY INDEX (EEI)	99
ENERGY EFFICIENCY CLASS	A
CO EMISSIONS	0,09%
FINE PARTICLE EMISSIONS	13 mg/Nm ³
CnHm EMISSIONS	94 mg/Nm ³
NO _x EMISSIONS	130 mg/Nm ³
RANGE OF WOOD CONSUMPTION	1,8 - 3,0 kg/h
MINIMUM DRAW	12 Pa
SMOKE MASS FLOW	8,8 g/s
AVERAGE SMOKE TEMPERATURE	318 °C
CONSUMPTION OF AIR FOR COMBUSTION	23,5 m ³ /h

MINIMUM SAFETY DISTANCE FROM COMBUSTIBLE MATERIALS

BACK FACE	30 cm with insulated duct: 10 cm
SIDE FACE	15 cm
UPPER FACE	-
INSIDE FACE	-

ACCESSORIES / EQUIPMENT

ACCUMULATION	✗
CUPBOARD	✗
BARBECUE	✗
ASHTRAY	✗
CONVECTION	✓
FAÇADE	✗
OPEN FIRE	✗
MOBILOBOX	○
GROUND PLATE	✗
READY-TO-FIT	✗
LOG RACK	○
ROTARY FUNCTION	✗
BASE	○
FAN	✗
RETRACTABLE GLASS	✗

LEGEND

✓	STANDARD
✗	UNAVAILABLE
○	OPTIONAL

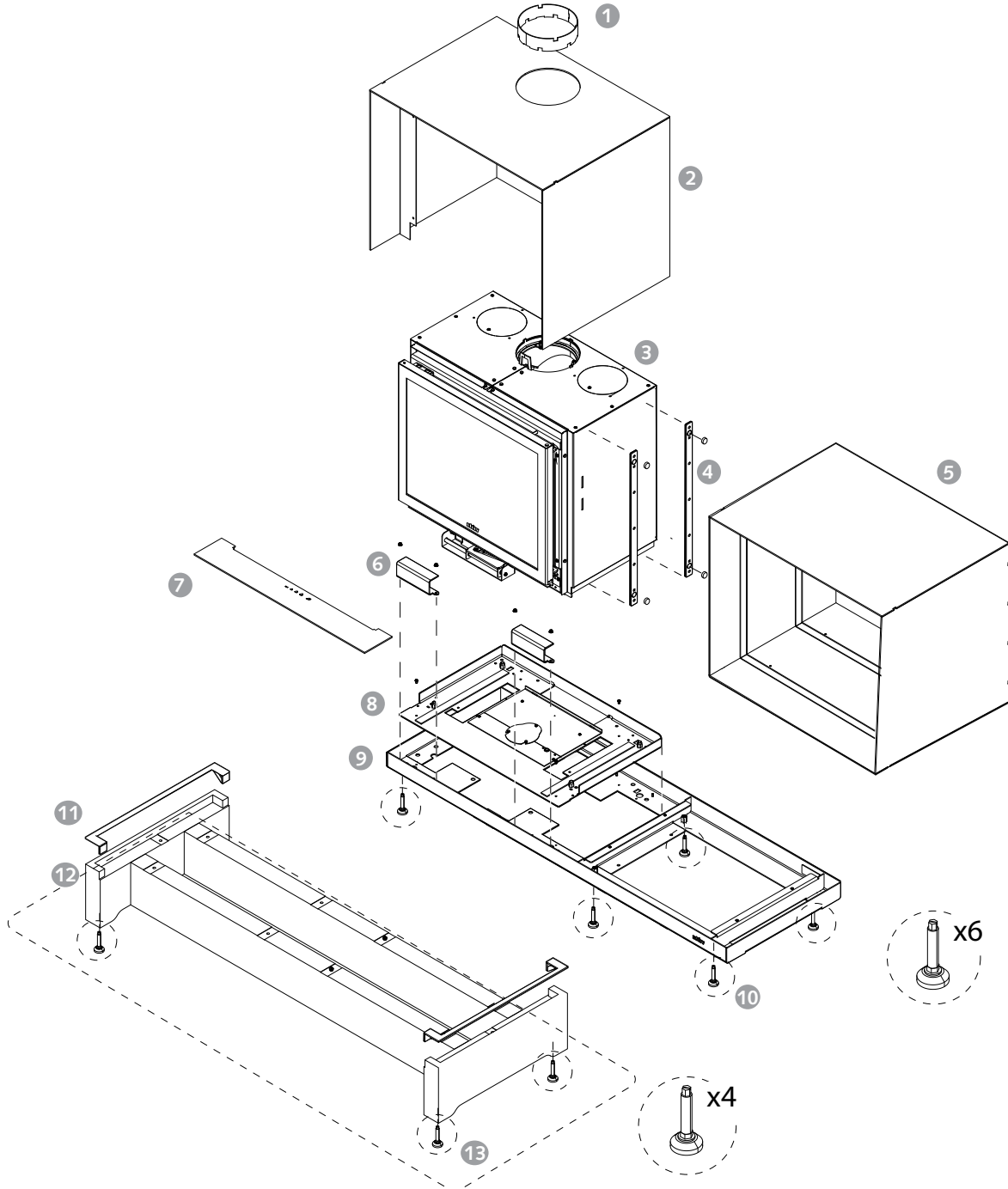
according to:
 - OPair (CH)
 - BE Phase 3
 - BImSchV2 (DE)
 - ECODESIGN 2022



16-D4 | The stove



THE BASIC STOVE AND ITS OPTIONAL FEATURES



- 1. Nozzle connection flange
- 2. Cube bonnet
- 3. Stove s16-in
- 4. Magnetic spacers x2
- 5. Wood recess

- 6. Shelf supports x2
- 7. Register shelf
- 8. Table top
- 9. Metal base
- 10. Metal base legs x6

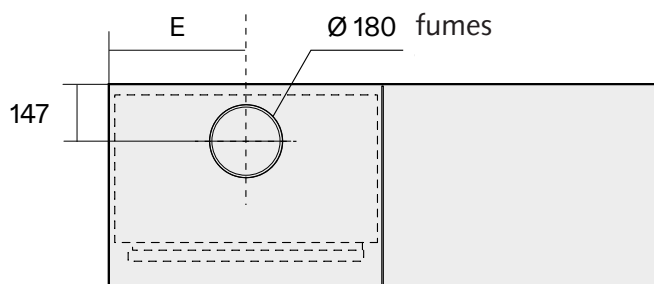
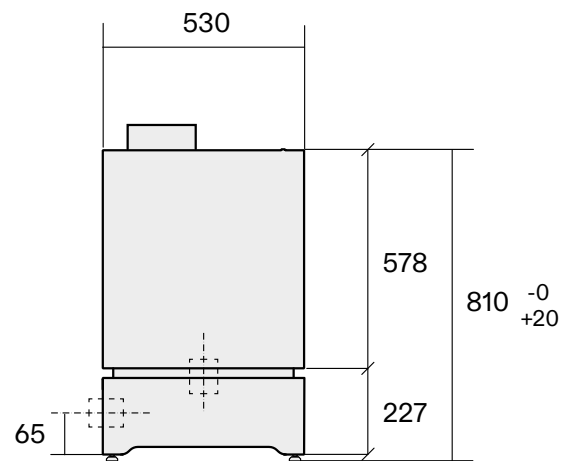
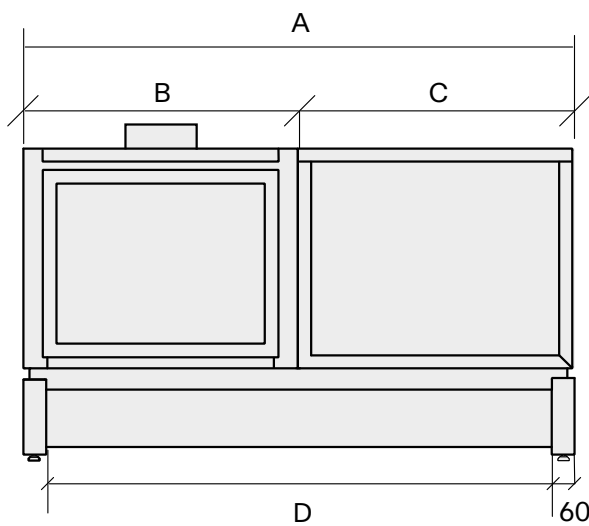
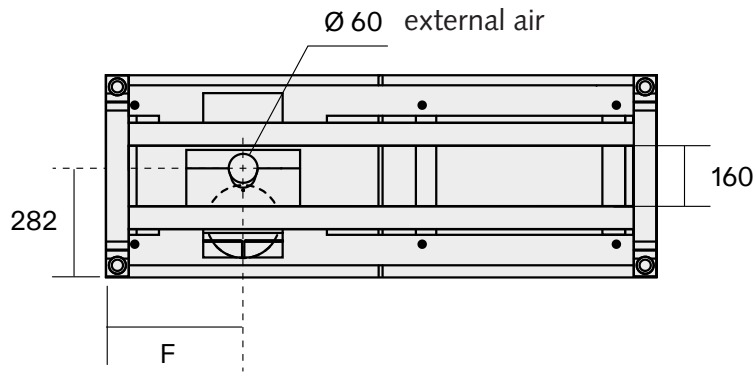
Wooden base kit option:

- 11. Side panels
- 12. Wooden base
- 13. Wooden base legs x4

16-D4 | The stove



DIMENSIONS WITH WOODEN BASE

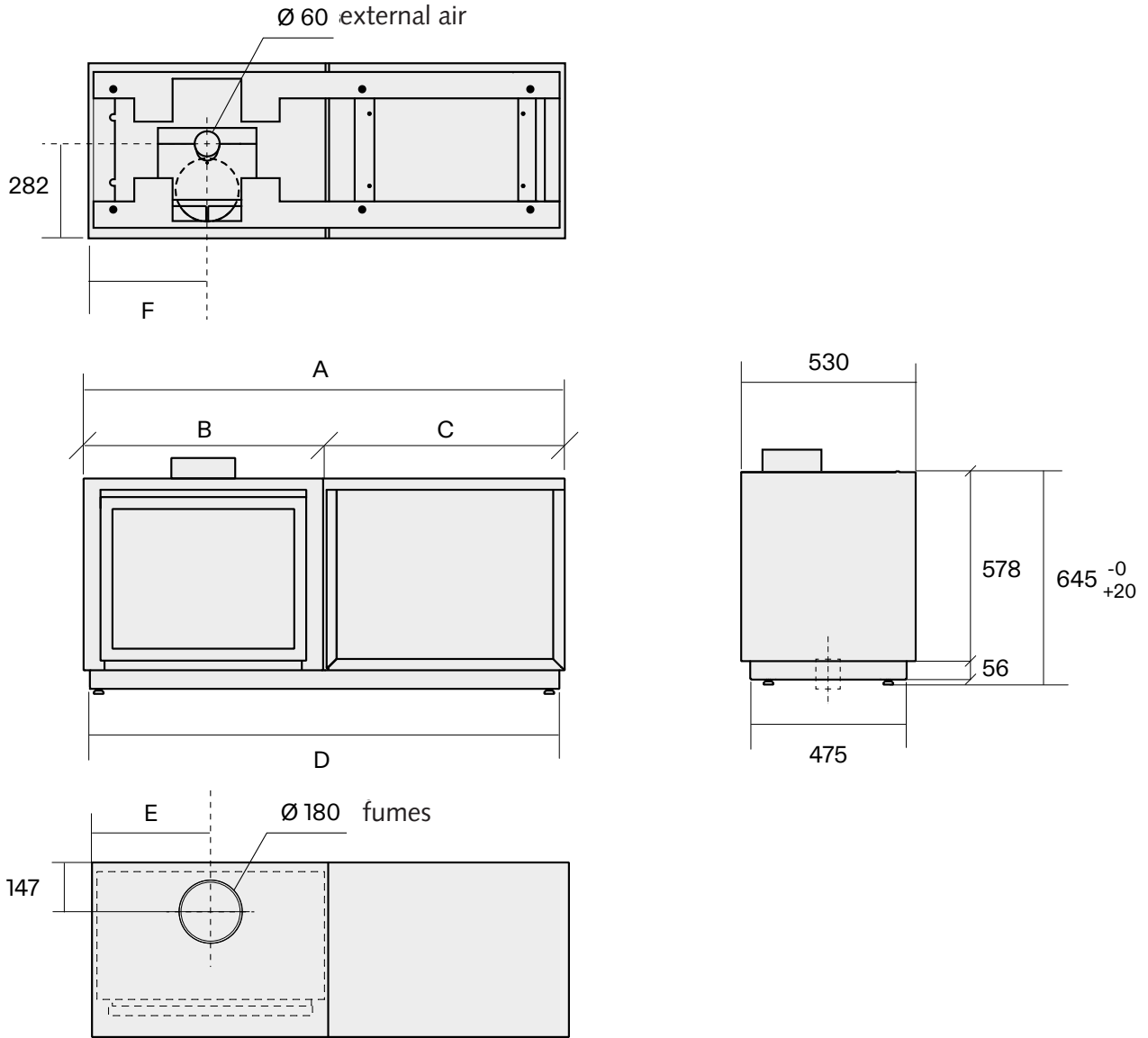


DIMENSIONS	A	B	C	D	E	F
16/58-D4	1250 mm	625 mm	625 mm	1330 mm	310 mm	310 mm
16/68-D4	1450 mm	725 mm	725 mm	1530 mm	360 mm	360 mm
16/78-D4	1650 mm	825 mm	825 mm	1730 mm	410 mm	410 mm

16-D4 | The stove



DIMENSIONS FOR CUSTOM INSTALLATION



DIMENSIONS	A	B	C	D	E	F
16/58-D4	1250 mm	625 mm	625 mm	1218 mm	310 mm	310 mm
16/68-D4	1450 mm	725 mm	725 mm	1418 mm	360 mm	360 mm
16/78-D4	1650 mm	825 mm	825 mm	1618 mm	410 mm	410 mm