

stûv

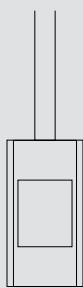
[03] S

The
essential
fire

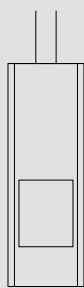
Revolutionary with its "3 in 1" system, the s30 family offers three modes of use: glass door, solid door and loading door. Switching from one mode to the other is a simple gesture. Powerful, economical and easy to maintain, s30s are available in a range of configurations. They come with a range of practical and attractive accessories.

wood-burning stoves

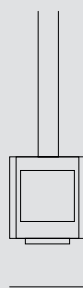
freestanding appliance that requires
no finishing work to install



s[30] p.2



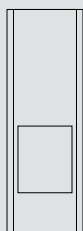
s[30]H p.10



s[30]up p.18

wood-burning insert

appliance to be integrated
into a wall or chimney breast



s[30]in p.26







Choosing Stûv means ensuring a very high level of satisfaction.

s[30]



Emblematic of Stûv, the s30 can be installed in a 360° rotating configuration so that the stove can be oriented in the desired direction.

The s30 offers high-efficiency combustion combined with a wide range of uses. Harmonious and efficient, it combines ease of use with the pleasure of seeing the fire.

Performance*

Energy efficiency class

Energy efficiency index

Output

Output range

Nominal efficiency

Seasonal efficiency

Fine particle emissions

CO emissions

NOx emissions

COV/COG emissions

Range of wood consumption

s[30]

Logs - Maximum length

Weight

Standards

A+

108

10 kW

6 - 12 kW

81 %

71 %

28 mg/Nm³

0,05 %

141 mg/Nm³

57 mg/Nm³

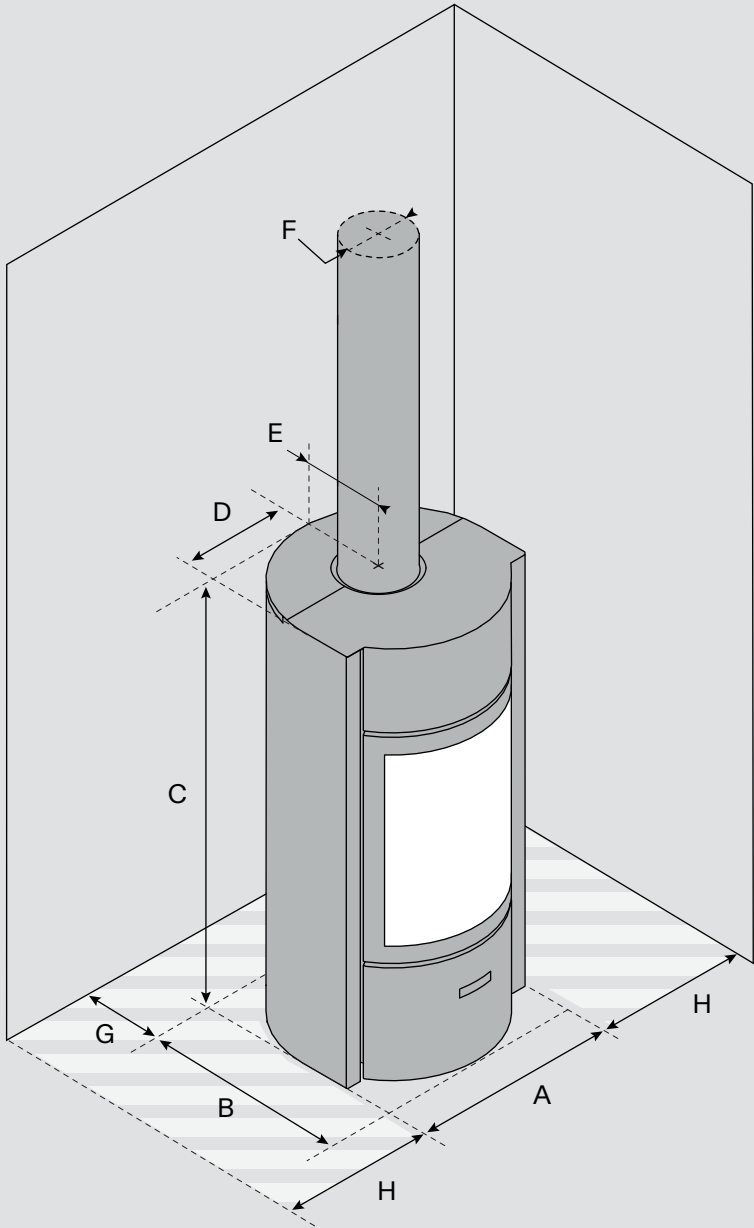
1,7 - 3,3 kg/h



50 cm

215 kg

EcoDesign 2022



s[30]

| | |
|----------------------------------|------------|
| [A] Width | 575 mm |
| [B] Depth | 560 mm |
| [C] Height | 1230 mm |
| [D] Flue axis - side | 287 mm |
| [E] Flue axis - rear | 237 mm |
| [F] Smoke outlet diameter | 150/180 mm |
| [G] Minimum rear safety distance | 100 mm* |
| [H] Minimum side clearance | 100 mm* |
| Ø External air connection | 100 mm |
| Colour | StövGrey |

Glass

| | |
|--------|--------|
| Width | 405 mm |
| Height | 535 mm |

* Caution: when using the turntable (optional rotating top exit kit), the minimum safety distance from walls that may face the glass is 800 mm.

The appliance must be professionally installed by an authorised dealer/installer.



Shared
warmth



Choosing Stûv means opting for the quality of your fireplace.

s[30]H



The powerful s30-H offers a number of options, such as an accumulation system that stores part of the heat for prolonged diffusion in off mode.

The s30-H can also be supplied in a pivoting configuration. It can be rotated up to 360°, so you can turn the stove in the direction you want.

Performance*

Energy efficiency class

Energy efficiency index

Output

Output range

Nominal efficiency

Seasonal efficiency

Fine particle emissions

CO emissions

NOx emissions

COV/COG emissions

Range of wood consumption

s[30]H

Logs - Maximum length

Weight

Standards

A+

108

10 kW

6 - 12 kW

81 %

71 %

28 mg/Nm³

0,05 %

141 mg/Nm³

57 mg/Nm³

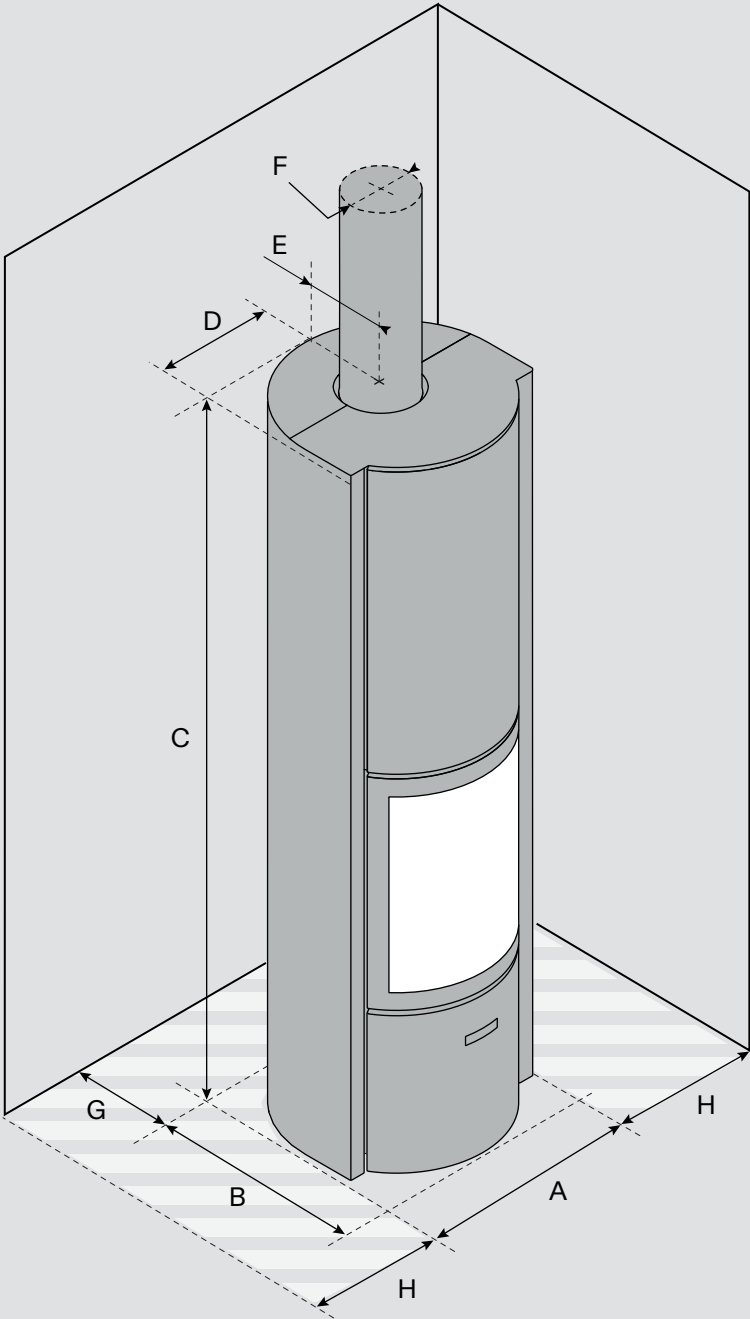
1,7 - 3,3 kg/h



50 cm

220 kg / 366 kg (with refractory brick)

EcoDesign 2022



s[30]H

| | |
|----------------------------------|----------|
| [A] Width | 575 mm |
| [B] Depth | 560 mm |
| [C] Height | 1950 mm |
| [D] Flue axis - side | 287 mm |
| [E] Flue axis - rear | 237 mm |
| [F] Smoke outlet diameter | 180 mm |
| [G] Minimum rear safety distance | 100 mm* |
| [H] Minimum side clearance | 100 mm* |
| Ø External air connection | 100 mm |
| Colour | StüvGrey |

Glass

| | |
|--------|--------|
| Width | 405 mm |
| Height | 535 mm |

* Caution: when using the turntable (optional rotating top exit kit), the minimum safety distance from walls that may face the glass is 800 mm.

The appliance must be professionally installed by an authorised dealer/installer.



Burning
heart



Choosing Stûv means indulging yourself all the way.

s[30]up



Elegant and efficient, this suspended fireplace creates a feeling of space while offering an unobstructed view of the flame.

It also features Stûv's revolutionary "3 in 1" system. system, the s30-up is ideal for small, space-saving spaces.

Performance*

Energy efficiency class

Energy efficiency index

Output

Output range

Nominal efficiency

Seasonal efficiency

Fine particle emissions

CO emissions

NOx emissions

COV/COG emissions

Range of wood consumption

s[30]up

Logs - Maximum length

Weight

Standards

A+

112

8,5 kW

5 - 9 kW

83 %

74 %

23 mg/Nm³

0,07 %

103 mg/Nm³

52 mg/Nm³

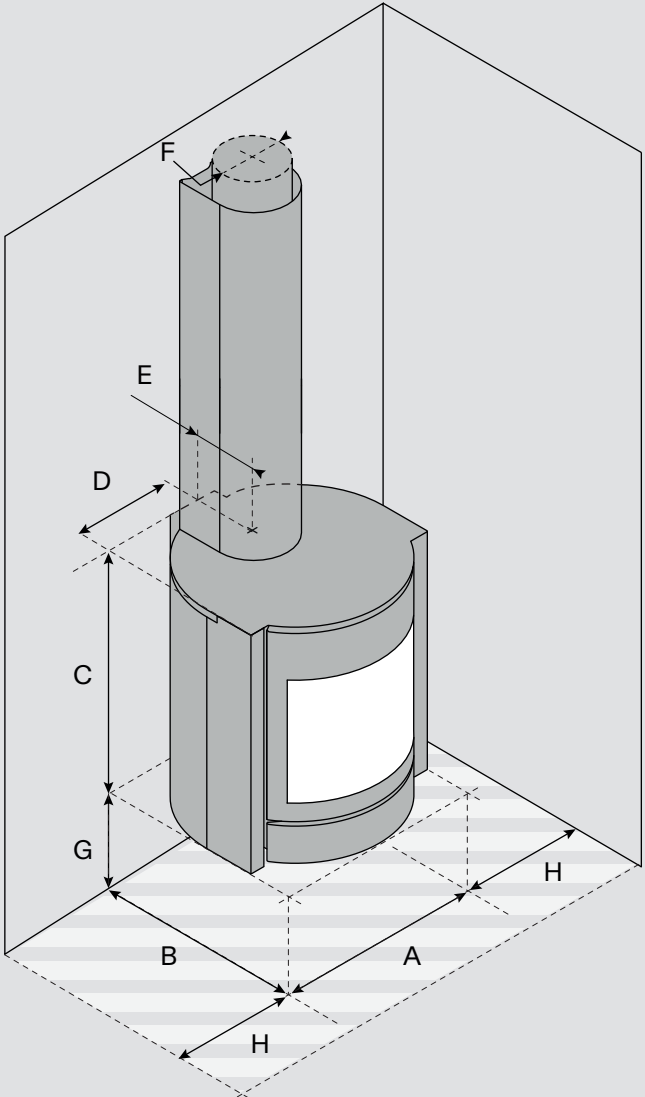
1,3 - 2,4 kg/h



33 cm

151 kg

EcoDesign 2022



s[30]up

| | |
|----------------------------|----------|
| [A] Width | 575 mm |
| [B] Depth | 605 mm |
| [C] Height | 745 mm |
| [D] Flue axis - side | 287 mm |
| [E] Flue axis - rear wall | 190 mm |
| [F] Smoke outlet diameter | 180 mm |
| [G] Lower clearance | 330 mm |
| [H] Minimum side clearance | 100 mm |
| Ø External air connection | 63 mm |
| Optional ventilation kit | - |
| Colour | StûvGrey |

Glass

| | |
|--------|--------|
| Width | 405 mm |
| Height | 345 mm |



Suspended
moments



Choosing Stûv means taking care of your environment.

s[30]in



Easy to install, the s30-in is designed to be built into a partition or existing masonry. Stûv also offers innovative ready-to-install solutions.

Equipped with the "3 in 1" system, for three modes of use, the insert offers a bird's eye view of the flames, enhanced by a gentle enveloping warmth.

Performance*

Energy efficiency class

Energy efficiency index

Output

Output range

Nominal efficiency

Seasonal efficiency

Fine particle emissions

CO emissions

NOx emissions

COV/COG emissions

Range of wood consumption

s[30]in

Logs - Maximum length

Weight

Standards

A+

108

10 kW

6 - 12 kW

81 %

71 %

28 mg/Nm³

0,05 %

141 mg/Nm³

57 mg/Nm³

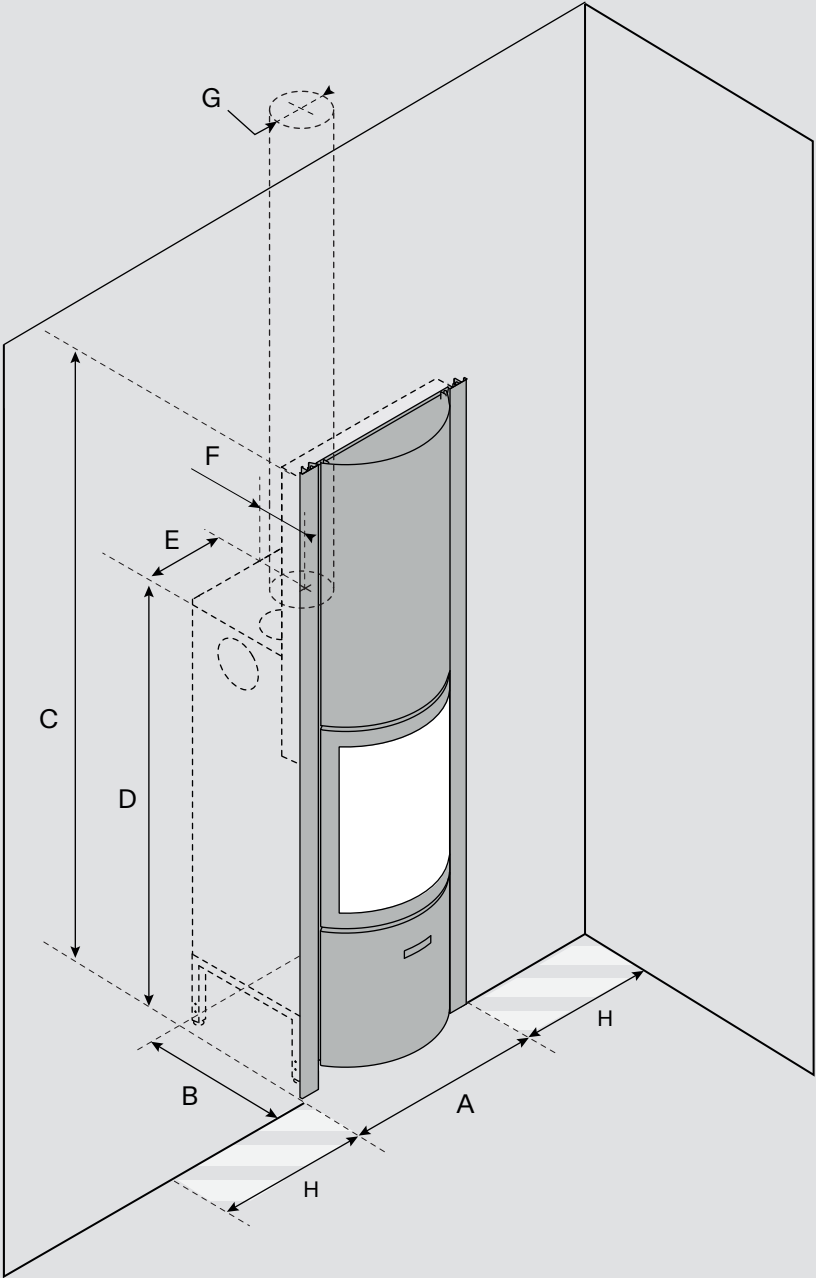
1,7 -3,3 kg/h



50 cm

200 kg

EcoDesign 2022



s[30]in

| | |
|-------------------------------|--------------------|
| [A] Total firebox width | 607 mm* |
| [B] Built-in depth | 460 mm* |
| [C] Built-in height | 2000 mm - 2800 mm* |
| [D] Height below smoke outlet | 1346 mm |
| [E] Flue axis - side | 295 mm |
| [F] Flue axis - rear | 185 mm |
| [G] Smoke outlet diameter | 180 mm |
| [H] Minimum side clearance | 100 mm |
| Ø External air connection | 100 mm |
| Optional ventilation kit | ✓ |
| Colour | StüvGrey |

Glass

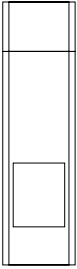
| | |
|--------|--------|
| Width | 405 mm |
| Height | 535 mm |

* Caution: be sure to add the insulation thicknesses defined by your local regulations to the dimensions of the recess.

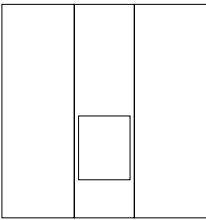
The appliance must be professionally installed by an authorised dealer/installer.



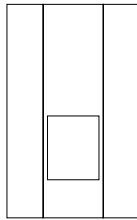
Additional top s30-in



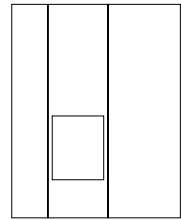
Front panels s30-in



Wide symmetrical

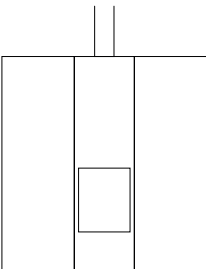


Narrow symmetrical

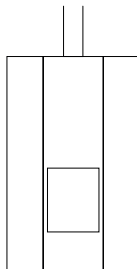


Asymmetrical right or left

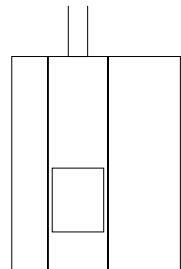
Ready-to-install s30-in



Wide symmetrical



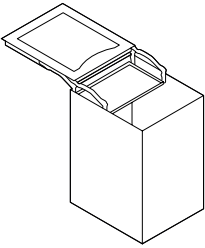
Narrow symmetrical



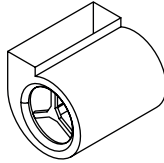
Asymmetrical right or left



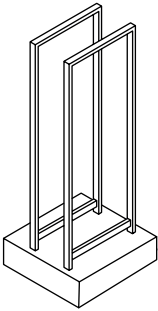
Accessories



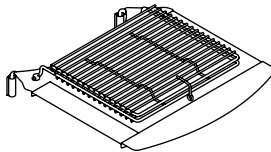
Mobilobox



Ventilator

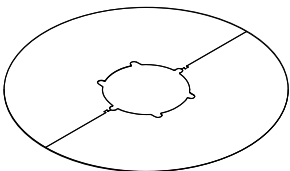


Log rack

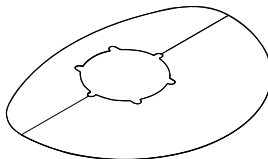


BBQ kit

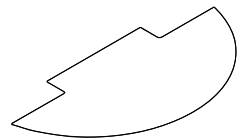
Floor plates



Round



Oval



For s30-in

REMOVE

FUNCTIONS



s[30]

[SIMPLE] Simplicity is the watchword in the design of this appliance. In terms of design, installation, operation and maintenance. [UNIQUE] The unique, patented 3-mode operating system has revolutionised the contemporary wood-burning stove sector. It is an asset in terms of both use and

operation. [POWERFUL] This high-performance stove offers high-efficiency combustion. The refractory bricks inside the heating element store the heat and release it constantly and abundantly. [ACCUMULATOR] The s30-H model can be fitted with an accumulation system that stores heat and releases it slowly, over several hours, long after the fire has gone out. This option prolongs the feeling of warmth and well-being, particularly in homes with low thermal efficiency. [PRACTICAL] A chimney sweeping hatch is standard and accessible, making it easy to maintain the flue (except on the s30-up). [CLEVER] A large ash drawer is fitted to all models (except the s30-up). This reduces the frequency of maintenance and greatly simplifies it. [CLEAN] For an impeccable view of the fire, a stream of air sweeps across the glass and carries away the dust that comes from combustion. [DURABLE] High-quality materials, precise assembly and a simple shape are just some of the advantages that ensure its longevity.

The Stûv families

s[6]



s[16]



s[30]



s[μ M]



s[21]



s[22]

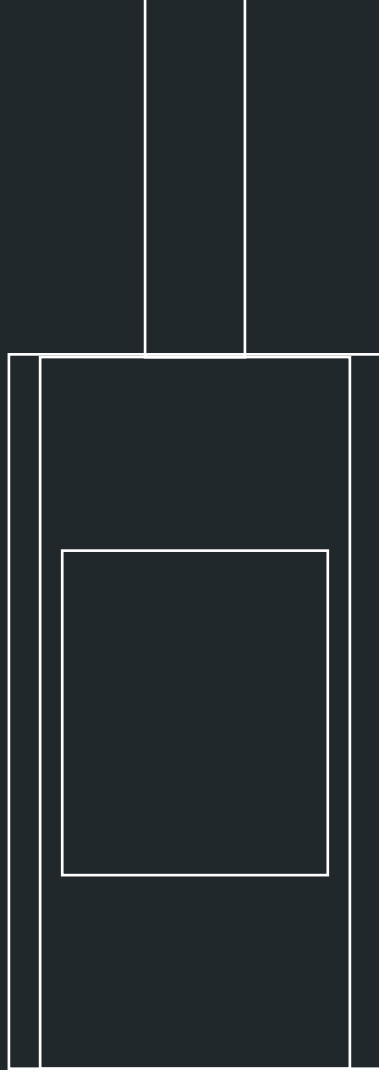


s[P10]



s[P20]





Documents and photos are not contractual. Stûv reserves the right to make changes without notice.
This catalogue has been carefully compiled; however, we decline all responsibility for any errors.

Stûv fireplaces are designed and manufactured by Stûv sa - Belgium - stuv.com