

stûv

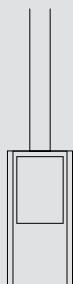
[COC]S

The
essential
fire

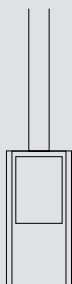
Revolutionary with its "3 in 1" system, the s30C family offers three modes of use: glass door, solid door and loading door. Switching from one mode to the other is a simple gesture. Compact version of the s30 family, economical and easy to maintain, the s30C is available in different configurations. They come with a range of practical and attractive accessories.

wood-burning stoves

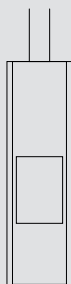
freestanding appliance that requires
no finishing work to install



s[30C] p.2



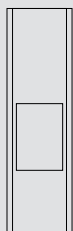
s[30C]one p.8



s[30C]H p.14

wood-burning insert

appliance to be integrated
into a wall or chimney breast



s[30C]in p.22







Choosing Stûv means ensuring a very high level of satisfaction.

s[30C]



Emblematic of Stûv, the s30C can be installed in a 360° rotating configuration so that the stove can be oriented in the desired direction.

The s30C offers high-efficiency combustion combined with a wide range of uses. Harmonious and efficient, it combines ease of use with the pleasure of seeing the fire.

Performance*

Energy efficiency class

Energy efficiency index

Output

Output range

Nominal efficiency

Seasonal efficiency

Fine particle emissions

CO emissions

NOx emissions

COV/COG emissions

Range of wood consumption

s[30C]

Logs - Maximum length

Weight

Standards

A+

108

6 kW

3 - 9 kW

81 %

72 %

18 mg/Nm³

0,07 %

114 mg/Nm³

51 mg/Nm³

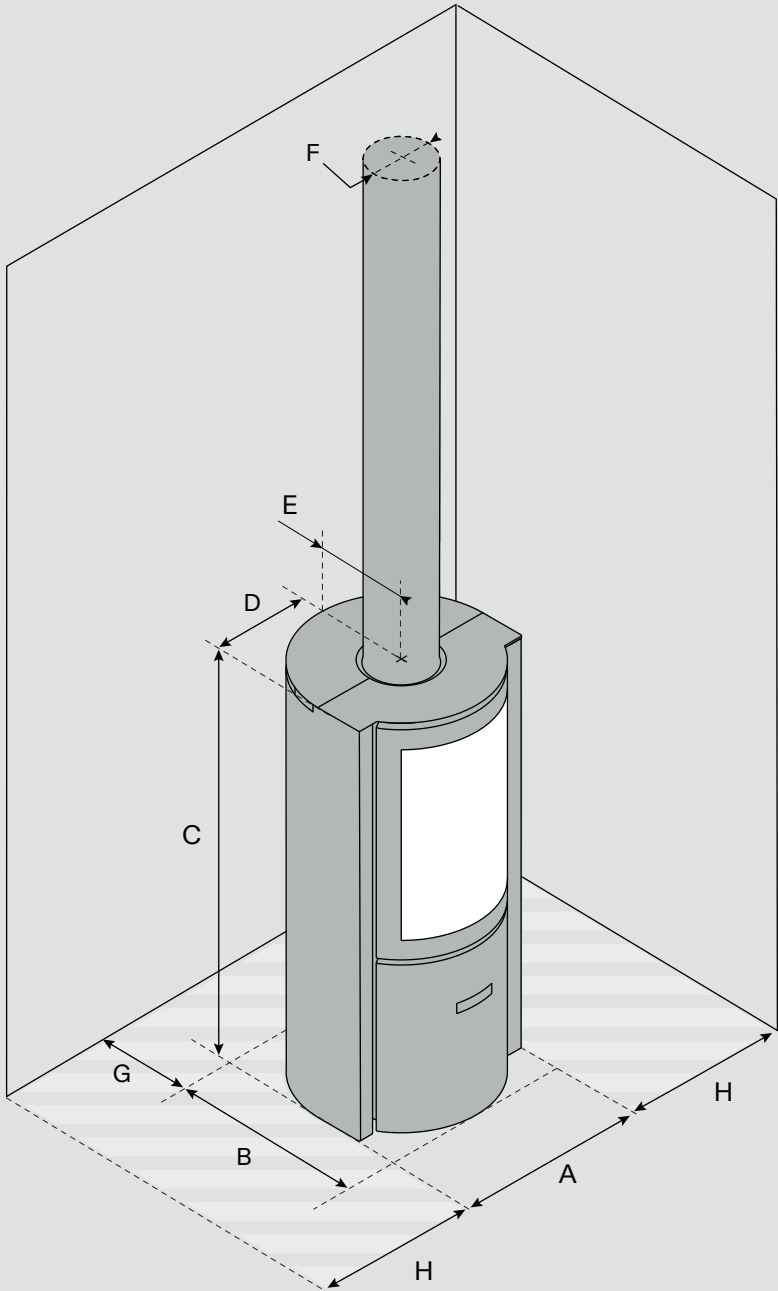
0,8 - 2,5 kg/h



40 cm

114 kg

EcoDesign 2022
DEFRA



s[30C]

[A] Width	465 mm
[B] Depth	447 mm
[C] Height	1040 mm
[D] Flue axis - side	232 mm
[E] Flue axis - rear	232 mm
[F] Smoke outlet diameter	150 mm
[G] Minimum rear safety distance	100 mm*
[H] Minimum side clearance	100 mm*
Ø External air connection	63 mm
Optional ventilation kit	-
Colours	StûvGrey, StûvBlack

Glass

Width	300 mm
Height	470 mm

* When using the turntable, the minimum safety distance from any wall facing the glass is 800 mm.

The appliance must be professionally installed by an authorised dealer/installer.



Choosing Stûv means indulging yourself all the way.

s[30C]one



The s30C-one is available in a single-door version, offering exclusively glass-door operation.

Its aesthetic qualities and performance remain identical to those of the 3-door model. It can also be installed in a 360° rotating configuration.

Performance*

Energy efficiency class

Energy efficiency index

Output

Output range

Nominal efficiency

Seasonal efficiency

Fine particle emissions

CO emissions

NOx emissions

COV/COG emissions

Range of wood consumption

s[30C]one

Logs - Maximum length

Weight

Standards

A+

108

6 kW

3 - 9 kW

81 %

72 %

18 mg/Nm³

0,07 %

114 mg/Nm³

51 mg/Nm³

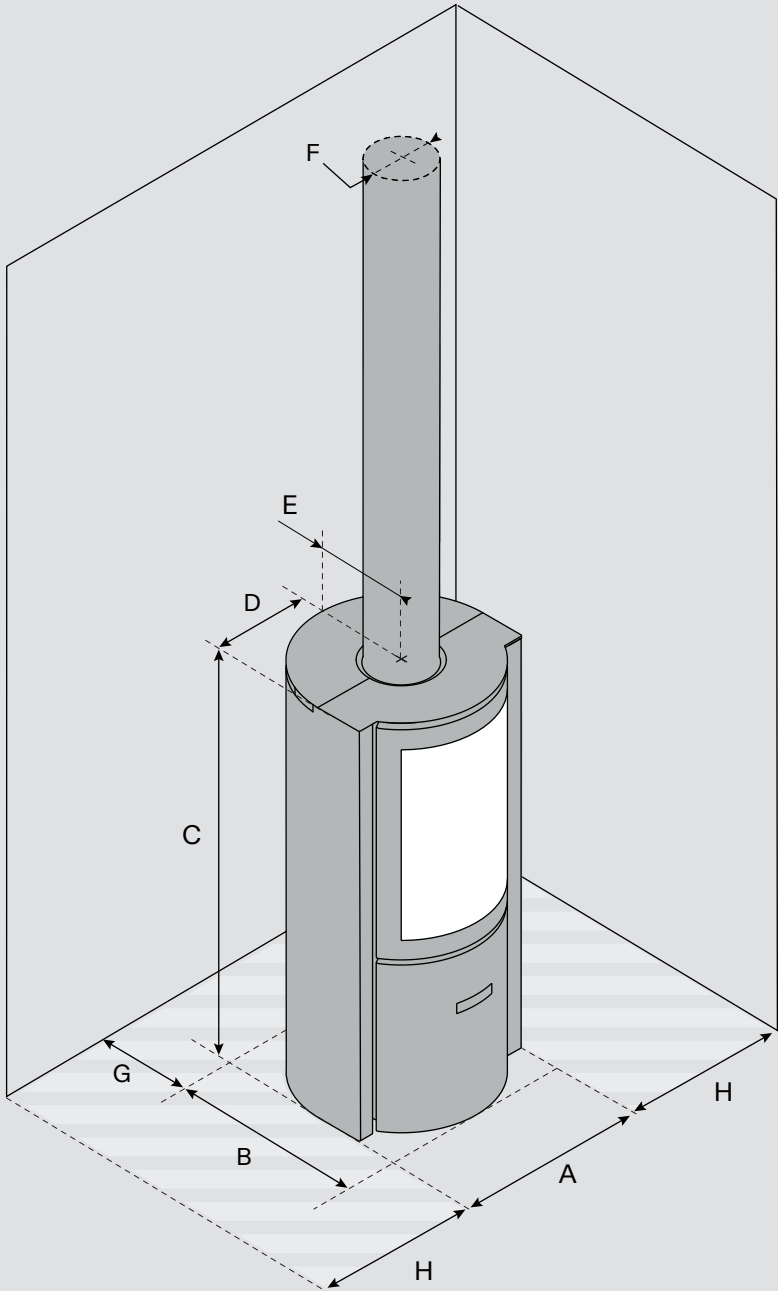
0,8 - 2,5 kg/h



40 cm

114 kg

EcoDesign 2022
DEFRA



s[30C]one

[A] Width	465 mm
[B] Depth	447 mm
[C] Height	1040 mm
[D] Flue axis - side	232 mm
[E] Flue axis - rear	232 mm
[F] Smoke outlet diameter	150 mm
[G] Minimum rear safety distance	100 mm*
[H] Minimum side clearance	100 mm*
Ø External air connection	63 mm
Optional ventilation kit	-
Colour	StüvGrey

Glass

Width	300 mm
Height	470 mm

* When using the turntable, the minimum safety distance from any wall facing the glass is 800 mm.

The appliance must be professionally installed by an authorised dealer/installer.



Choosing Stûv means opting for quality in your fireplace.

s[30C]H



The high-performance s30C-H offers a number of options, including an accumulation system that stores some of the heat for longer periods in off mode.

The s30C-H can also be installed in a pivoting configuration. It can be rotated up to 360°, so you can point the stove in the direction you want.

Performance*

Energy efficiency class

Energy efficiency index

Output

Output range

Nominal efficiency

Seasonal efficiency

Fine particle emissions

CO emissions

NOx emissions

COV/COG emissions

Range of wood consumption

s[30C]H

Logs - Maximum length

Weight with / without refractory brick

Standards

A+

108

6 kW

3 - 9 kW

81 %

72 %

18 mg/Nm³

0,07 %

114 mg/Nm³

51 mg/Nm³

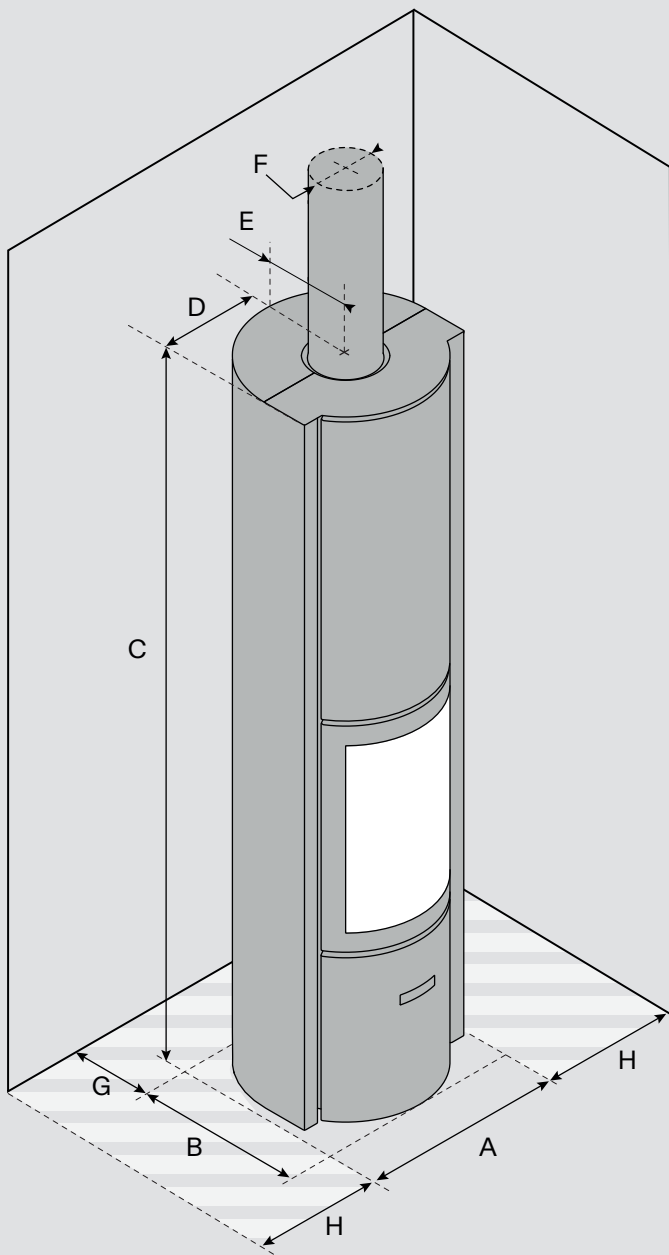
0,8 - 2,5 kg/h



40 cm

124 kg / 275 kg

EcoDesign 2022
DEFRA



s[30C]H

[A] Width	465 mm
[B] Depth	447 mm
[C] Height	1800 mm
[D] Flue axis - side	232 mm
[E] Flue axis - rear	232 mm
[F] Smoke outlet diameter	150 mm
[G] Minimum rear safety distance	100 mm*
[H] Minimum side clearance	100 mm*
Ø External air connection	150 mm
Optional ventilation kit	-
Colour	StüvGrey

Glass

Width	300 mm
Height	470 mm

* When using the turntable, the minimum safety distance from any wall facing the glass is 800 mm.

The appliance must be professionally installed by an authorised dealer/installer.



Burning
heart



Choosing Stûv means taking care of your environment.

s[30C]in



Easy to install, the s30C-in is designed to be built into a partition or existing masonry. Stûv also offers innovative ready-to-install solutions.

Equipped with the "3 in 1" system, for three modes of use, the insert offers an increased view of the flames, enhanced by a gentle, enveloping warmth.

Performance*

Energy efficiency class

Energy efficiency index

Output

Output range

Nominal efficiency

Seasonal efficiency

Fine particle emissions

CO emissions

NOx emissions

COV/COG emissions

Range of wood consumption

s[30C]in

Logs - Maximum length

Weight

Standards

A+

107

6 kW

3 - 9 kW

81 %

71 %

27 mg/Nm³

0,06 %

101 mg/Nm³

51 mg/Nm³

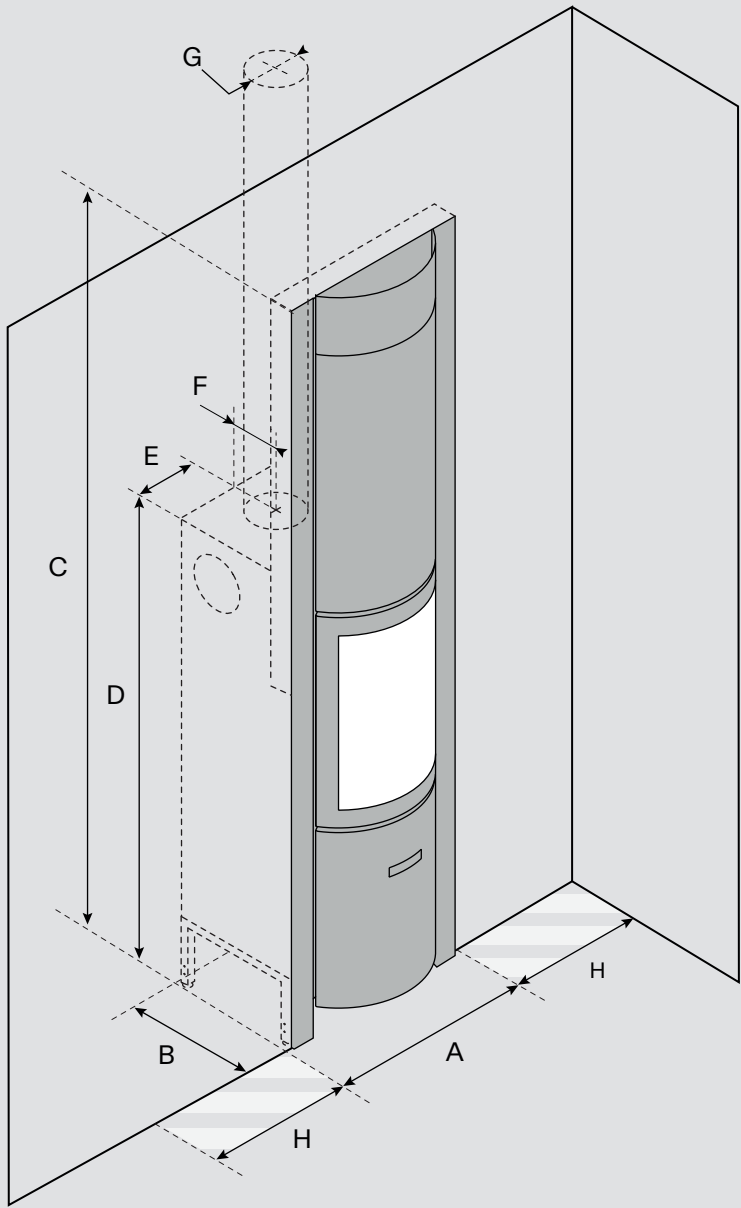
0,8 - 2,2 kg/h



40 cm

142 kg

EcoDesign 2022
DEFRA



s[30C]in

[A] Total firebox width	503 mm*
[B] Built-in depth	410 mm*
[C] Built-in height	2000 mm - 2800 mm*
[D] Height below smoke outlet	1320 mm
[E] Flue axis - side	232 mm
[F] Flue axis - rear	150 mm
[G] Smoke outlet diameter	150 mm
[H] Minimum side clearance	100 mm
Ø External air connection	63 mm
Optional ventilation kit	✓
Colour	StûvGrey

Glass

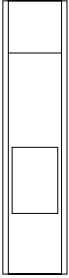
Width	300 mm
Height	470 mm

* Caution: be sure to add the insulation thicknesses defined by your local regulations to the dimensions of the recess.

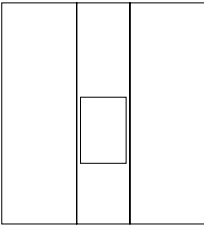
The appliance must be professionally installed by an authorised dealer/installer.



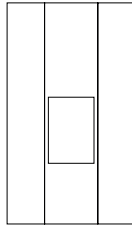
Additional top s30C-in



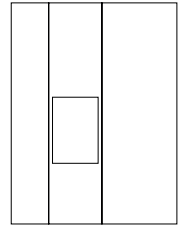
Front panels s30C-in



Wide symmetrical

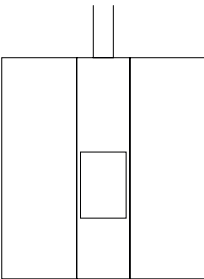


Narrow symmetrical

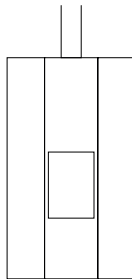


Asymmetrical right or left

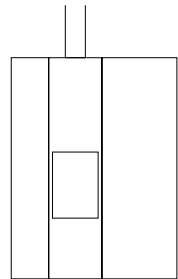
Ready-to-install s30C-in



Wide symmetrical



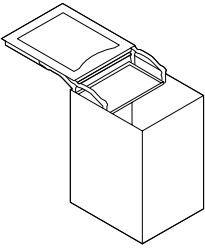
Narrow symmetrical



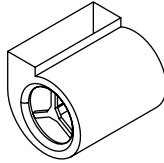
Asymmetrical right or left



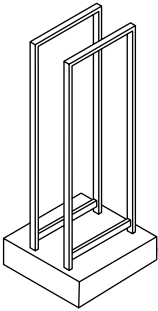
Accessories



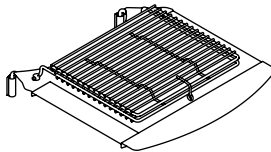
Mobilobox



Ventilator

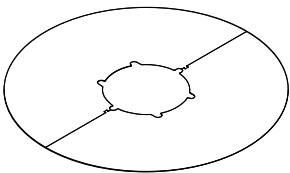


Log rack

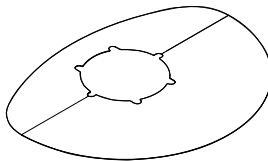


BBQ kit

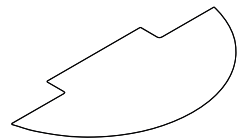
Floor plates



Round



Oval



For s30C-in

REMOVE

FUNCTIONS



s[30C]

[SIMPLE] Simplicity is the watchword in the design of this appliance. In terms of design, installation, operation and maintenance. [UNIQUE] The unique, patented 3-mode operating system has revolutionised the contemporary wood-burning stove sector. It is an asset in terms of both use and

operation. [PERFORMING] The stove offers high-efficiency combustion. A compact version of the s30 family, the cast-iron chamber develops less power while maximising the quality of combustion. [ACCUMULATOR] The s30C-H model can be fitted with an accumulation system that stores heat and releases it slowly, over several hours, even after the fire has gone out. This option prolongs the feeling of warmth and well-being, particularly in homes with low energy efficiency. [PRACTICAL] An original, accessible chimney sweeping hatch makes it easy to maintain the flue of s30C-H and s30C-in models. [CLEVER] A large ash drawer is fitted to all models. It reduces the frequency of its maintenance and greatly simplifies it. [CLEAN] For an impeccable view of the fire, a stream of air sweeps the glass and carries away the dust that comes from combustion. [DURABLE] High-quality materials, precise assembly and a simple shape are just some of the advantages that ensure its longevity.

The Stûv families

s[6]



s[16]



s[30]



s[μ M]



s[21]



s[22]

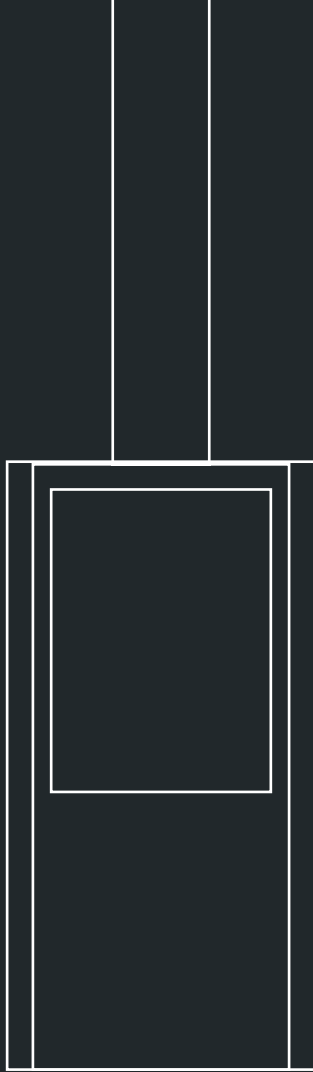


s[P10]



s[P20]





Documents and photos are not contractual. Stûv reserves the right to make changes without notice.
This catalogue has been carefully compiled; however, we decline all responsibility for any errors.

Stûv fireplaces are designed and manufactured by Stûv sa - Belgium - stuv.com