

stûv

[9] S

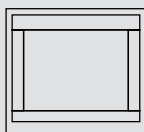
The
essential
fire

Offered as replacements for open fires, the s6 family is available as an insert or freestanding stove in a range of formats and sizes.

Elegant, compact and economical, the 2 solutions feature a continuous curve of the combustion chamber for a wider view of the fire.

wood-burning insert

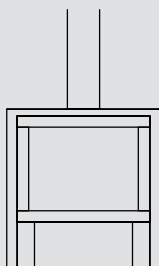
appliance to be integrated
into a wall or chimney breast



s[6]in p.2

wood-burning stove

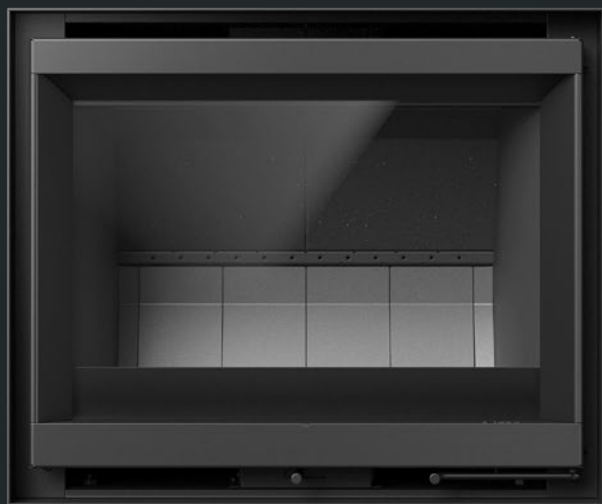
freestanding appliance that requires
no finishing work to install



s[6]H p.20







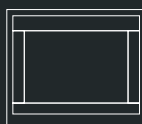
Choosing Stûv means opting for curves and lines that lead straight to well-being.

s[6]in

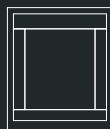
56/50



66/50



46/55



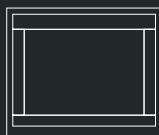
66/55



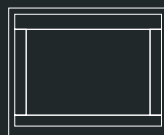
76/55



76/60



86/60



Designed to fit the specific dimensions of old masonry hearths, these wood-burning inserts are easy to install and simple to use.

Sober and elegant, their cast iron combustion chamber transmits a gentle heat, adapted to today's needs.

Performance*

Energy efficiency class

Energy efficiency index

Output

Output range

Nominal efficiency

Seasonal efficiency

Fine particle emissions

CO emissions

NOx emissions

COV/COG emissions

Range of wood consumption

s[6]in

height 50

Logs - Maximum length

Weight

Standards

A	A
105	103
5 kW	6,8 kW
4 - 8 kW	5 - 9 kW
79 %	77 %
69 %	68 %
38 mg/Nm ³	30 mg/Nm ³
0,08 %	0,08 %
110 mg/Nm ³	108 mg/Nm ³
98 mg/Nm ³	68 mg/Nm ³
1,1 - 2,3 kg/h	1,5 - 2,6 kg/h

56/50



66/50



33 cm

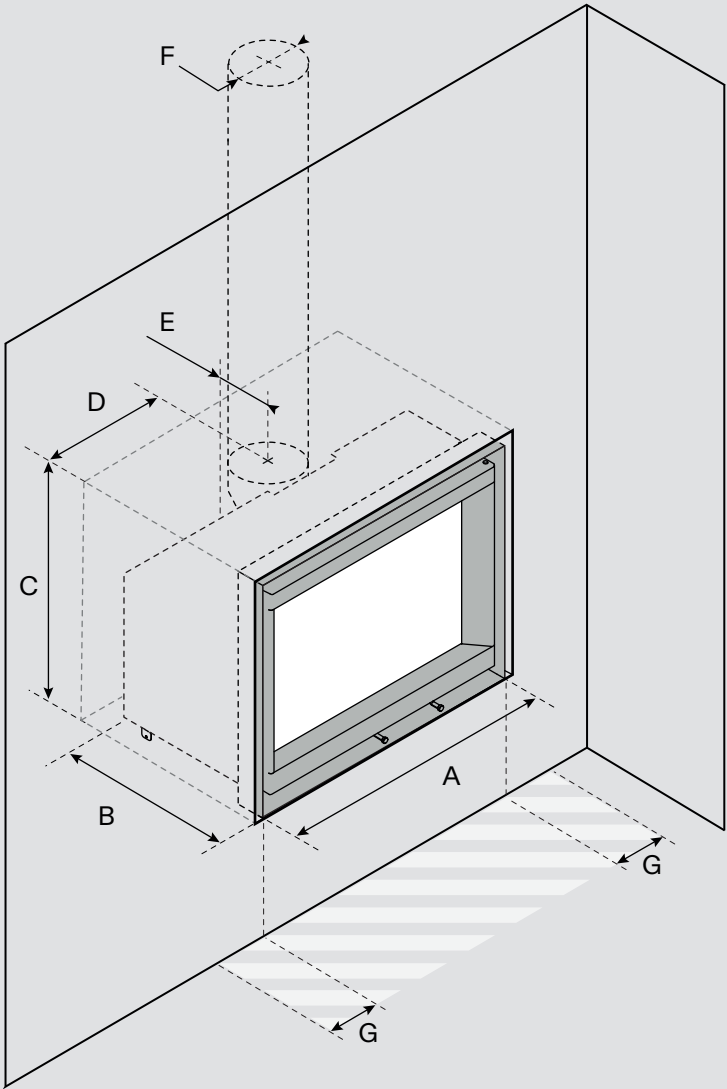
40 cm

72 kg

74 kg

EcoDesign 2022
DEFRA

EcoDesign 2022
DEFRA



s[6]in - height 50

	56/50	66/50
[A] Width	560 mm*	660 mm*
[B] Depth	415 mm*	415 mm*
[C] Height	500 mm*	500 mm*
[D] Flue axis - side	280 mm	330 mm
[E] Flue axis - rear	100 mm	100 mm
[F] Smoke outlet diameter	130 mm	150 mm
[G] Minimum side clearance	85 mm	70 mm
Ø External air connection	100 mm	100 mm
Optional ventilation kit	-	✓
Colour	StûvBlack	StûvBlack

Glass

	56/50	66/50
Width	420 mm	520 mm
Height	305 mm	305 mm

* Caution: be sure to add the insulation thicknesses defined by your local regulations to the dimensions of the recess.

The appliance must be professionally installed by an authorised dealer/installer.

Performance*

Energy efficiency class

Energy efficiency index

Output

Output range

Nominal efficiency

Seasonal efficiency

Fine particle emissions

CO emissions

NOx emissions

COV/COG emissions

Range of wood consumption




s[6]in

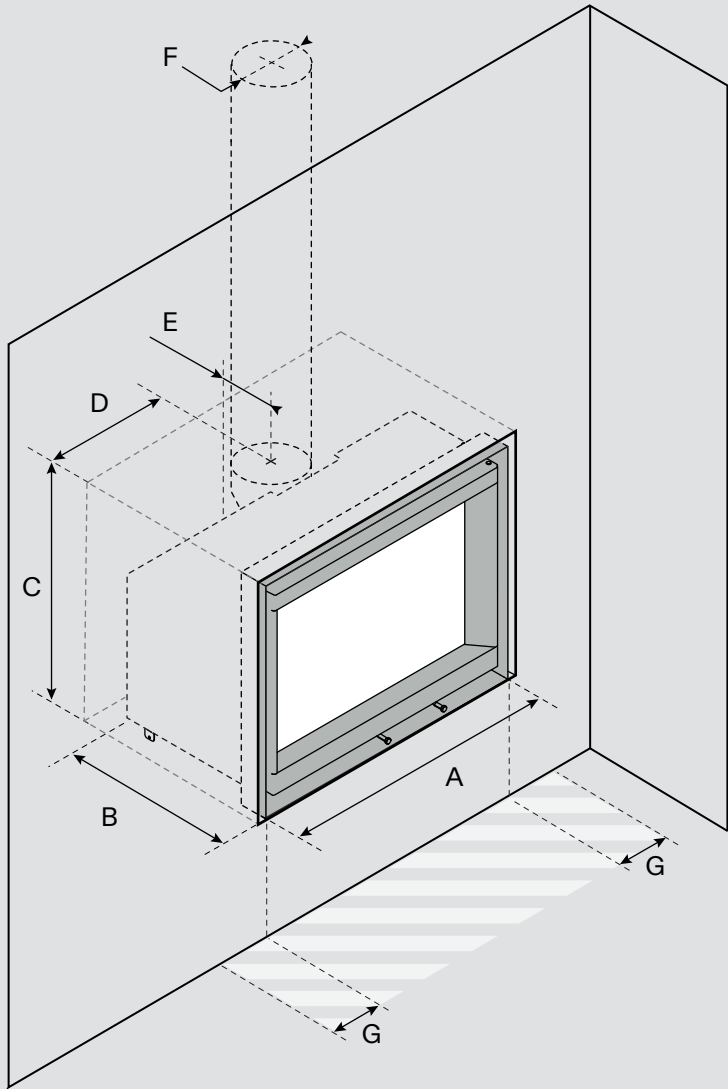
height 55

Logs - Maximum length

Weight

Standards

A+	A	A
110	104	103
4,9 kW	7,6 kW	8,5 kW
4 - 7 kW	5 - 9 kW	6 - 10 kW
83 %	78 %	77 %
73 %	69 %	68 %
21 mg/Nm ³	24 mg/Nm ³	17 mg/Nm ³
0,07 %	0,07 %	0,07 %
106 mg/Nm ³	116 mg/Nm ³	130 mg/Nm ³
92 mg/Nm ³	68 mg/Nm ³	52 mg/Nm ³
1,1 - 1,9 kg/h	1,4 - 2,6 kg/h	1,7 - 2,9 kg/h
46/55	66/55	76/55
		
20 cm	40 cm	50 cm
65 kg	77 kg	84 kg
EcoDesign 2022 DEFRA	EcoDesign 2022 DEFRA	EcoDesign 2022 DEFRA



s[6]in - height 55

	46/55	66/55	76/55
[A] Width	460 mm*	660 mm*	760 mm*
[B] Depth	415 mm*	415 mm*	415 mm*
[C] Height	550 mm*	550 mm*	550 mm*
[D] Flue axis - side	230 mm	330 mm	380 mm
[E] Flue axis - rear	100 mm	100 mm	100 mm
[F] Smoke outlet diameter	130 mm	150 mm	150 mm
[G] Minimum side clearance	80 mm	85 mm	80 mm
Ø External air connection	100 mm	100 mm	100 mm
Optional ventilation kit	-	✓	✓
Colour	StûvBlack	StûvBlack	StûvBlack

Glass

	46/55	66/55	76/55
Width	320 mm	520 mm	620 mm
Height	355 mm	355 mm	355 mm

* Caution: be sure to add the insulation thicknesses defined by your local regulations to the dimensions of the recess.

The appliance must be professionally installed by an authorised dealer/installer.

Performance*

Energy efficiency class

Energy efficiency index

Output

Output range

Nominal efficiency

Seasonal efficiency

Fine particle emissions

CO emissions

NOx emissions

COV/COG emissions

Range of wood consumption

s[6]in

height 60

Logs - Maximum length

Weight

Standards

A	A
104	99
9,3 kW	10,8 kW
7 - 11 kW	8 - 13 kW
78 %	75 %
69 %	65 %
21 mg/Nm ³	22 mg/Nm ³
0,06 %	0,08 %
116 mg/Nm ³	113 mg/Nm ³
68 mg/Nm ³	85 mg/Nm ³
2,0 - 3,1 kg/h	2,4 - 3,9 kg/h

76/60



86/60



50 cm

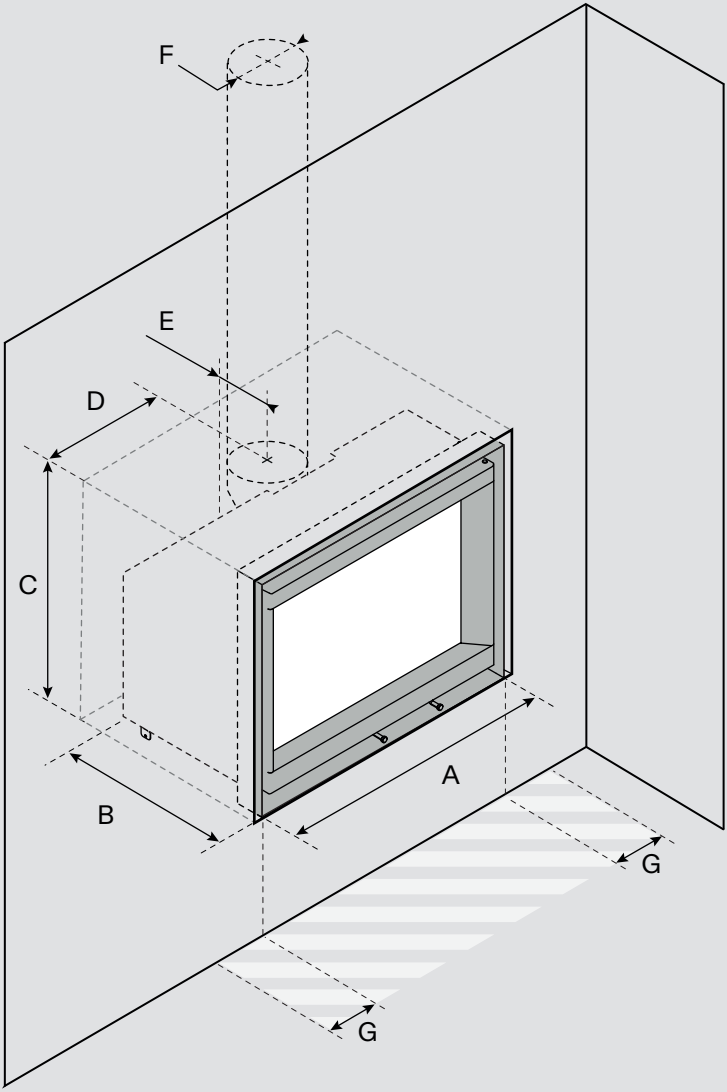
50 cm

91 kg

96 kg

EcoDesign 2022
DEFRA

EcoDesign 2022
DEFRA



s[6]in - height 60

	76/60	86/60
[A] Width	760 mm*	860 mm*
[B] Depth	415 mm*	415 mm*
[C] Height	600 mm*	600 mm*
[D] Flue axis - side	380 mm	430 mm
[E] Flue axis - rear	100 mm	100 mm
[F] Smoke outlet diameter	150 mm	180 mm
[G] Minimum side clearance	60 mm	80 mm
Ø External air connection	100 mm	100 mm
Optional ventilation kit	✓	✓
Colour	StûvBlack	StûvBlack

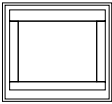
Glass

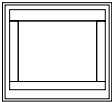
	76/60	86/60
Width	620 mm	820 mm
Height	405 mm	405 mm

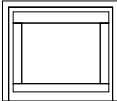
* Caution: be sure to add the insulation thicknesses defined by your local regulations to the dimensions of the recess.

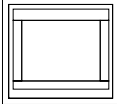
The appliance must be professionally installed by an authorised dealer/installer.



Flush-mounted slim frame		56/50	66/50	46/55	66/55	76/55	76/60	86/60
	W	560	660	460	660	760	760	860
	H	500	500	550	550	550	600	600

Thin flush frame		56/50	66/50	46/55	66/55	76/55	76/60	86/60
	W	560	660	460	660	760	760	860
	H	500	500	550	550	550	600	600

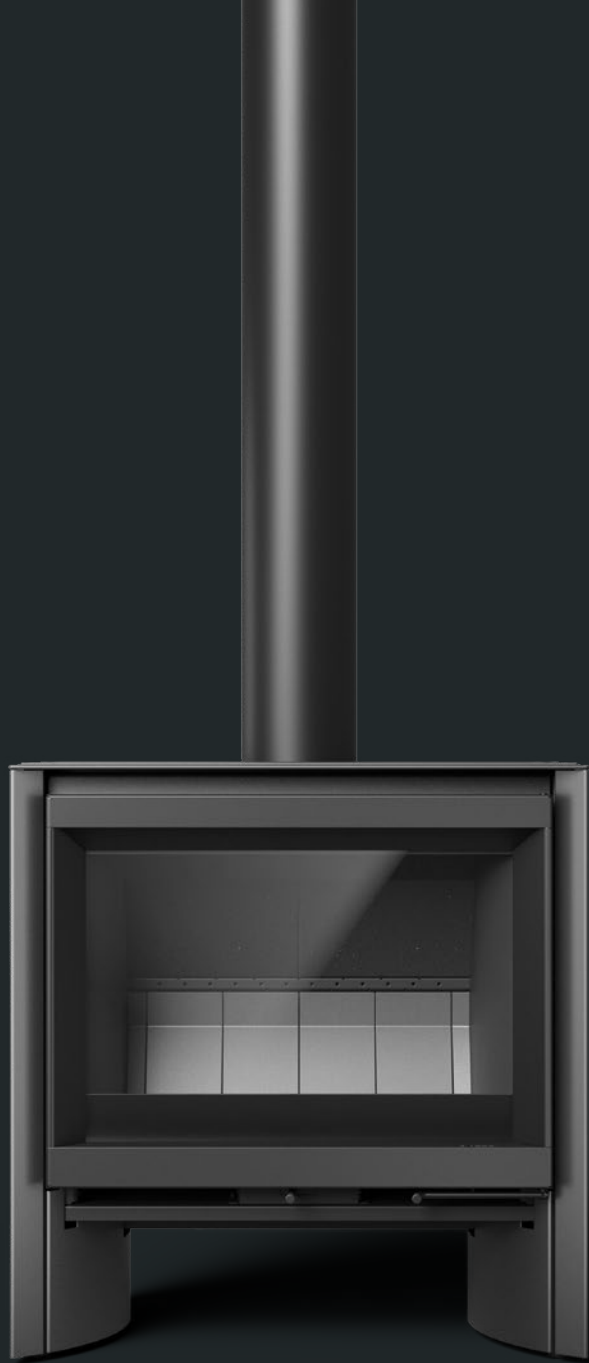
3-sided applied frame		56/50	66/50	46/55	66/55	76/55	76/60	86/60
	W	596	696	496	696	796	796	896
	H	519	519	567	567	567	619	619

4-sided applied frame		56/50	66/50	46/55	66/55	76/55	76/60	86/60
	W	594	694	494	694	794	794	894
	H	536	536	586	586	586	636	636

Frames

These black steel frames are designed to provide a refined, impeccable finish around the perimeter of small to very large masonry hearths.

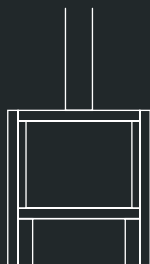
Respect
for nature



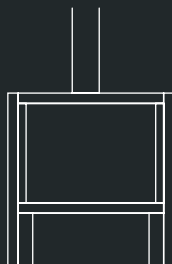
Choosing Stûv means marveling at the spectacle of nature.

s[6]H

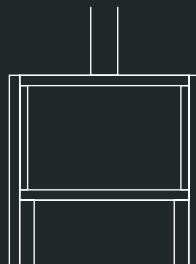
56/50



66/55



76/60



These compact, high-performance wood-burning stoves blend harmoniously into any space, large or small.

Their contemporary design, with a wider view of the fire, is a source of well-being.

All you have to do is load the logs and light the fire to enjoy the soft, enveloping warmth.

Performance*

Energy efficiency class

Energy efficiency index

Output

Output range

Nominal efficiency

Seasonal efficiency

Fine particle emissions

CO emissions

NOx emissions

COV/COG emissions

Range of wood consumption

s[6]H

Logs - Maximum length

Weight

Standards

A	A	A
105	104	104
5 kW	7,6 kW	9,3 kW
4 - 8 kW	5 - 9 kW	7 - 11 kW
79 %	78 %	78 %
69 %	69 %	69 %
38 mg/Nm ³	24 mg/Nm ³	21 mg/Nm ³
0,08 %	0,07 %	0,06 %
110 mg/Nm ³	116 mg/Nm ³	116 mg/Nm ³
98 mg/Nm ³	68 mg/Nm ³	68 mg/Nm ³
1,1 - 2,3 kg/h	1,4 - 2,6 kg/h	2,0 - 3,1 kg/h

56/50



66/55



76/60



33 cm

40 cm

50 cm

80 kg

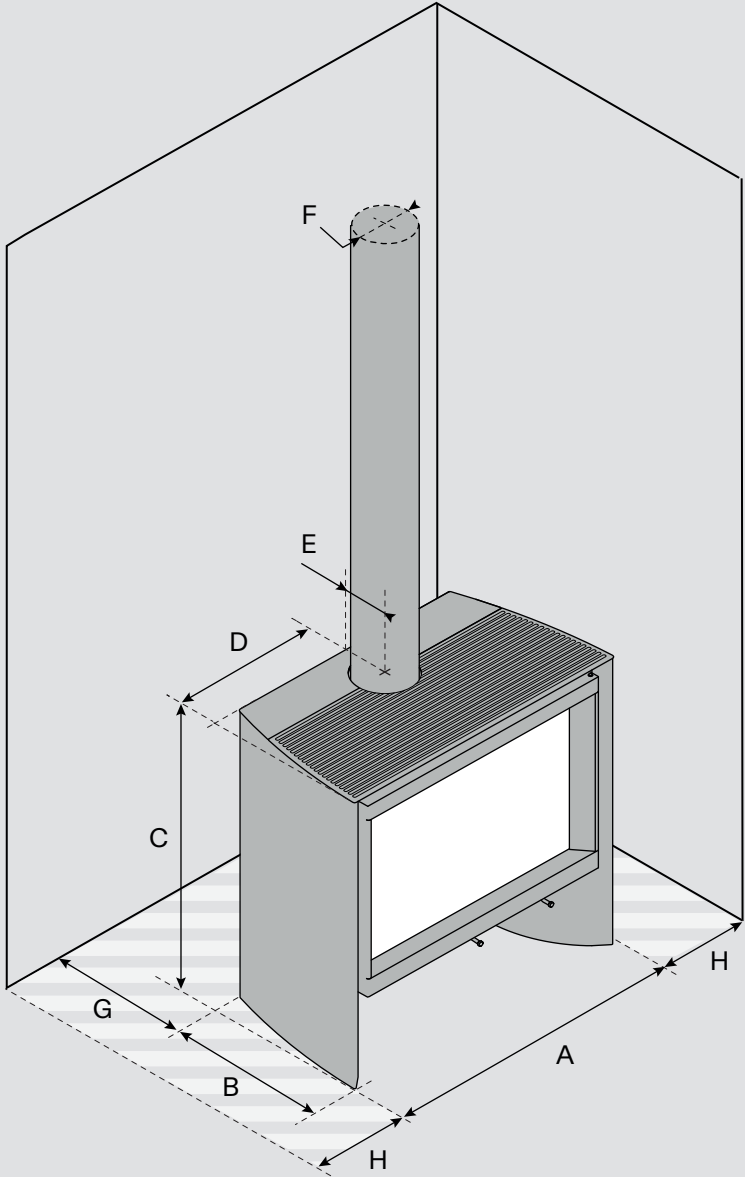
95 kg

105 kg

EcoDesign 2022
DEFRA

EcoDesign 2022
DEFRA

EcoDesign 2022
DEFRA



s[6]H

	56/50	66/55	76/60
[A] Width	600 mm	700 mm	800 mm
[B] Depth	430 mm	430 mm	430 mm
[C] Height	650 mm	725 mm	800 mm
[D] Flue axis - side	300 mm	350 mm	400 mm
[E] Flue axis - rear	124 mm	124 mm	124 mm
[F] Smoke outlet diameter	130 mm	150 mm	150 mm
[G] Minimum rear safety distance	300 mm*	300 mm*	300 mm*
[H] Minimum side clearance	130 mm	150 mm	150 mm
Ø External air connection	80 mm	80 mm	80 mm
Optional ventilation kit	-	-	-
Colour	StûvBlack	StûvBlack	StûvBlack

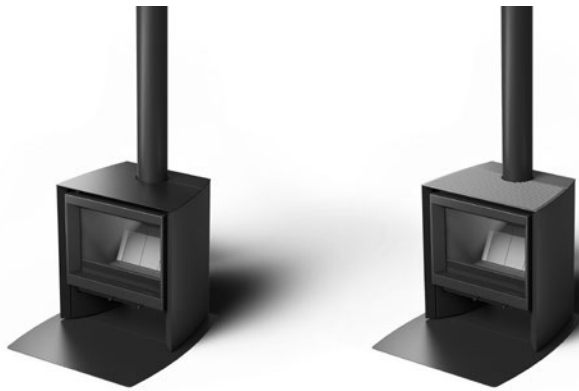
Glass

	56/50	66/55	76/60
Width	420 mm	520 mm	620 mm
Height	305 mm	355 mm	405 mm

* This distance can be reduced to 75 mm by installing an anti-radiation plate and a suitable flue.

The appliance must be professionally installed by an authorised dealer/installer.





Shelves

Material	Steel	Cast iron (ribbed)
----------	-------	--------------------

Floor plates

	56/50	66/55	76/60
Width	690 mm	790 mm	890 mm
Depth	780 mm	780 mm	780 mm

REMOVE

FUNCTIONS



S[6]

[SIMPLE] Simplicity is the watchword in the design of this appliance. In terms of design, installation, operation and maintenance. [ADAPTED] The availability of the insert in several formats and configurations means that it can be integrated into a wide range of existing fireplac-

es, including small ones. [PANORAMIC] All models, including the smallest, offer a very wide view of the fire through the enlarged glass front. [PERFORMANT] Confined in a small-volume cast-iron chamber, the fire develops less power while maximising the quality of combustion. [ECONOMICAL] Its low wood consumption combined with its high performance makes it even more economical to use. [CLEAN] For an impeccable view of the fire, a stream of air sweeps across the glass and carries away the dust that comes from combustion. [FLEXIBLE] The appliance can be connected from the back or from the top, to cover a wider range of integration projects. [CLEVER] The integrated handle enhances the clean lines of the model and reflects the attention paid to detail.

The Stûv families

s[6]



s[16]



s[30]



s[μ M]



s[21]



s[22]

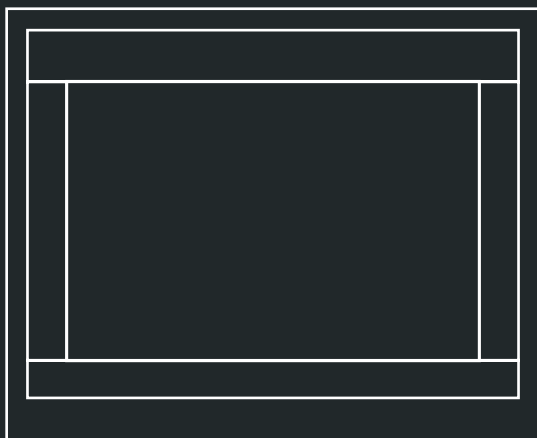


s[P10]



s[P20]





Documents and photos are not contractual. Stûv reserves the right to make changes without notice.
This catalogue has been carefully compiled; however, we decline all responsibility for any errors.

Stûv fireplaces are designed and manufactured by Stûv sa - Belgium - stuv.com